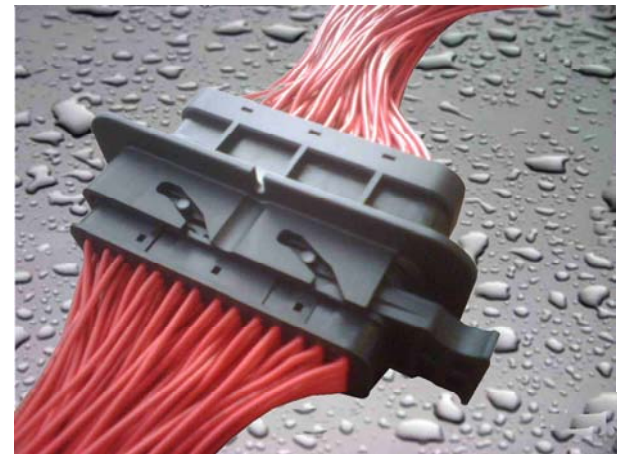
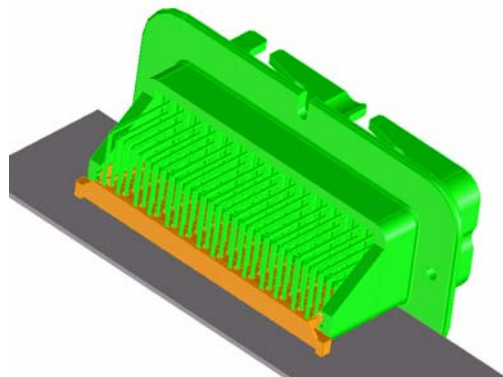


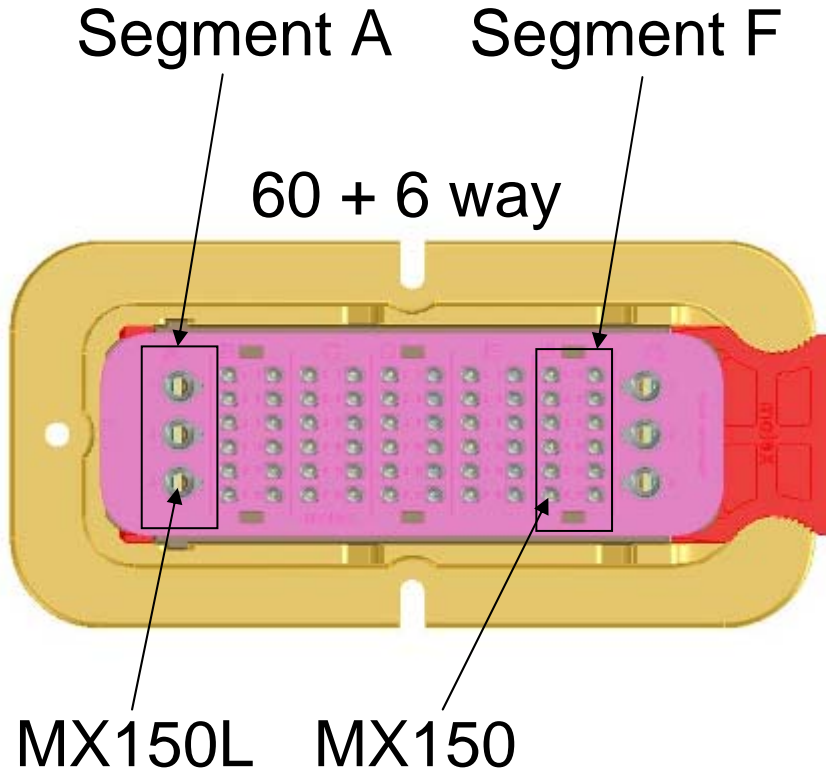
SRC – Sealed Rectangular Connector



- Completely sealed in-line wire to wire and panel mount connector system
- Developed to fit Deutsch DRC cutout with a higher pin count
- In development of a wire to board version for control modules



SRC - Mixed Power Options



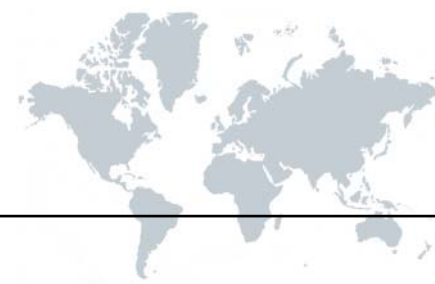
- **Modular design with 7 segments which can be either a power or control segment – modular tool creates solid connector**
 - 1 control segment consists of 12 circuits
 - 1 power segment consists of 3 circuits
- **Control circuits use MX150 - 18A and power circuits use MX150L - 40A terminals**
- **Additional shell sizes in development**
 - 60 – 5 segments
 - 84 – 7 segments (current)
 - 128 – 8 segments

Features & Benefits



<i>Features</i>	<i>Benefits</i>
Pre-assembled connector housing, seals, TPA and rear cover ship in one piece	Applied labor and cost savings
Simple crimp, poke and plug application	No need to crimp individual wire seals
Integral Terminal Position Assurance (TPA)	Assures that crimped terminal leads are properly locked into connector. (TPA will not seat into final lock position and connector system will not latch if terminal is not locked properly into position)
Integral, two-way mat and interface seal	Passes IP69K & IP67 testing; for applications in harsh environments
Easy terminal insertion and extraction	Quick, low cost field repairs using common screw driver, needle nose pliers and terminal extraction tool

Features & Benefits continued



Features

High connector and terminal retention forces

Superior electrical and mechanical performance capabilities

Sliding latch with cam action

Standard MX150 and MX150L contacts

Unused circuits can be blocked using plastic seal plugs

Benefits

Connector system retention greater than 200N

Surpasses performance of most other competitive products in the market

Single handed mating and locking action, no screw action or tools required for mating assembly. Latch does not interfere with wire harness.

Uses proven standard application tooling

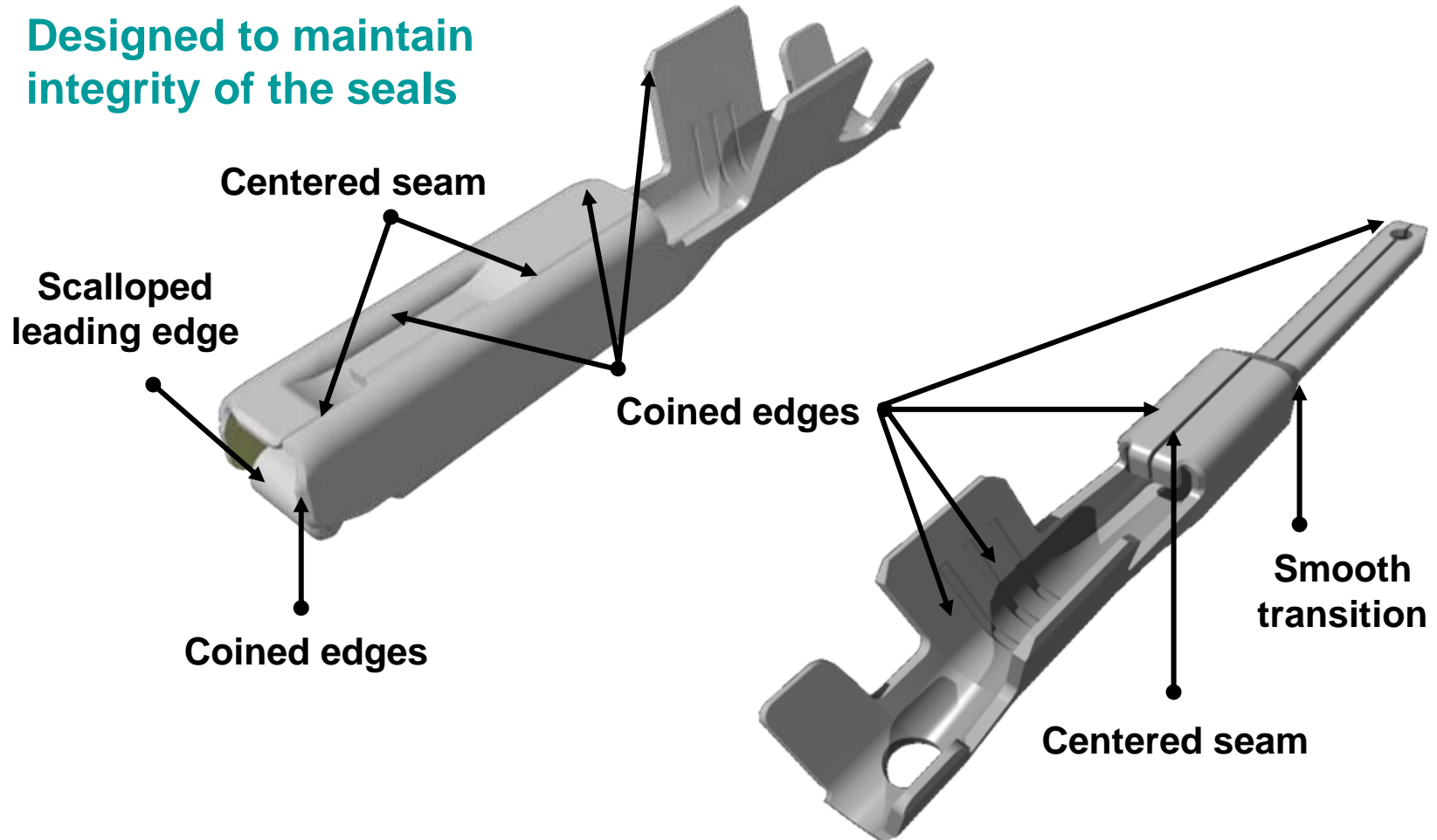
Facilitates flexibility of sealing unused circuits without adding complexity to part numbers and customer inventory

MX 150 & 150L Terminals

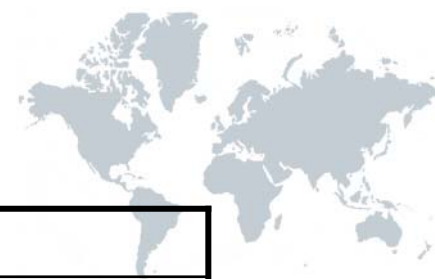


Matte seal friendly terminal features

Designed to maintain integrity of the seals



Specifications



Voltage	500 V
Current	18 A* (AWG 14-20, MX150) 40 A* (AWG 8, MX150L)
Contact Resistance	20 mΩ max.
Operating Temperature	-55°C to +125°C
Insulation Resistance	20 MΩ min.
Dielectric Withstanding Voltage	1,500 VAC
Pitch (vertical)	4.0 mm (0.157") Control segment 7.62 mm (0.300") Power segment
Durability	25 cycles (Tin plating) 100 cycles (Gold plating)
Degree of Protection	IP67 / IP69K
Contact Material	Tin or gold over copper alloy
Housing Material	SPS / Nylon
Terminal Insertion Force	30 N max.
Terminal Retention Force	50 N min.
Mating / Unmating Force	250 N max.